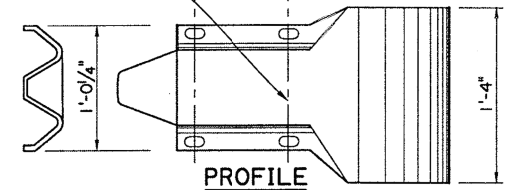
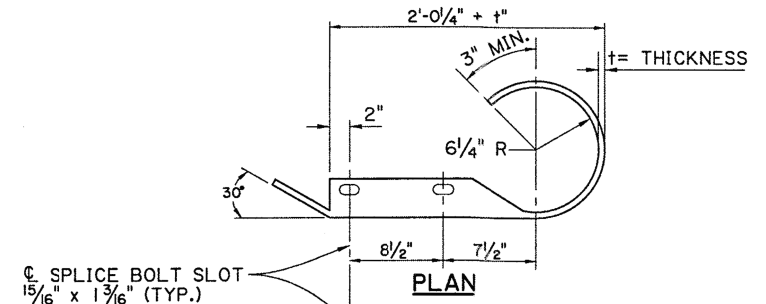
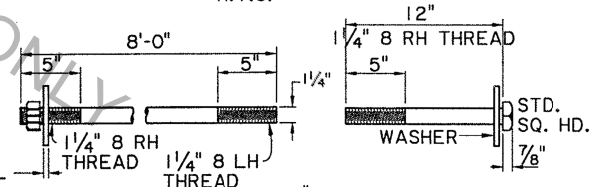


- GENERAL NOTES:**
1. FOR OTHER DETAILS NOT SHOWN (STEEL POST, TIMBER BLOCKOUT, GUARDRAIL, ETC., SEE STANDARD PLAN GR-200 AND OTHER PLAN SHEET DETAILS.
 2. ROUNDED W-BEAM END SECTION SHALL CONFORM WITH AASHTO M-180 CLASS "A". ANCHOR ROD CONNECTOR PLATE AND ANCHOR ROD PLATE WASHER SHALL CONFORM TO ASTM A-36 STEEL.
 3. GUARDRAIL FLARED END TREATMENT MEETS TEST LEVEL 2 (TL-2) NCHRP350 ACCEPTANCE CRITERIA. REFERENCE FHWA ACCEPTANCE LETTER CC-62.
 4. A DESIGN EXCEPTION IS REQUIRED TO USE THIS TL-2 GUARD RAIL END TREATMENT.
 5. PAY ITEM: 704-10-00105



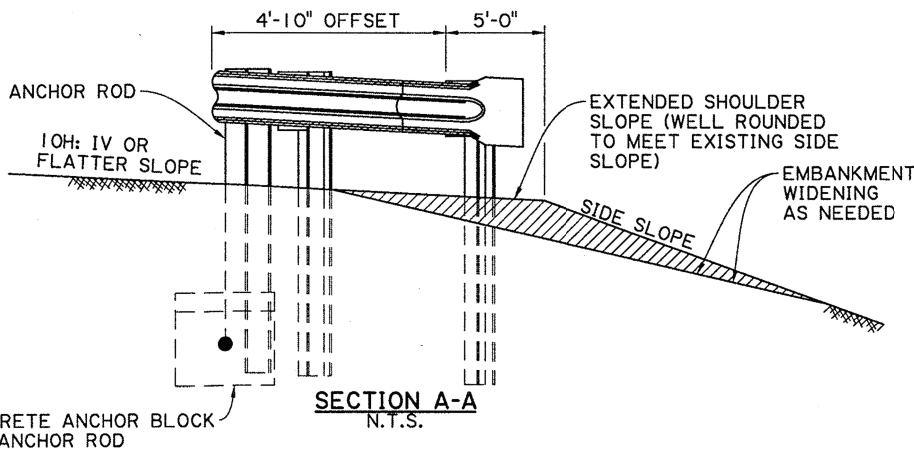
ROUNDED "W" BEAM END
N.T.S.

STATE OF LOUISIANA
ANANDA H. HERATH
License No. 29042
PROFESSIONAL ENGINEER
IN
CIVIL ENGINEERING
Ananda H. Herath
05/30/2017



TURNBUCKLE
MIN. TENSILE STRENGTH 60,000 LBS.
LOAD APPLIED THROUGH ASSEMBLY
(ANCHOR ROD AND TURNBUCKLE)

ANCHOR ROD
N.T.S.



<p>BRIDGE AND STRUCTURAL DESIGN</p>	<p>GUARD RAIL END TREATMENT (FLARED, 12'-6") SPECIAL DETAILS BD.2.6.4.1.18</p>		NO.	DATE	REVISION OR CHANGE ORDER DESCRIPTION	BY	DESIGNED P. FOSSIER	PARISH	SHEET NUMBER	
			CHECKED A. HERATH	CONTROL SECTION	Detailed C. OWENS	STATE PROJECT	CHECKED A. HERATH	DESIGNED A. HERATH		
			REVIEWED K. BRAUNER							
			SERIES #	1 OF 2						